

# STORMWATER MANAGEMENT CURB OPENING THROUGH SIDEWALK SECTION

NEENAH FOUNDRY  
R-4999-DX COVER OR  
APPROVED EQUIVALENT  
COVER SHALL BE FASTENED TO  
CONCRETE AND / OR  
COVER FRAME AS PER  
MANUFACTURERS SPECIFICATION

STREET  
SURFACE

1% FLOW

TYPICAL SIDEWALK SECTION  
STD-141  
WIDTH VARIES  
SET GRATE TO  
MATCH SIDEWALK  
CROSS SLOPE

3" DROP  
ACROSS  
CONCRETE  
APRON

SOD TURF  
MAXIMUM  
2:1 SLOPE

TYPICAL "L" TYPE  
CURB/GUTTER SECTION  
STD-121

MINIMUM 4"  
CONCRETE

SECTION A-A

MINIMUM 6" TOPSOIL  
COMPACTED TO 80% - 85%

LAYDOWN IN  
"L" TYPE  
CURB/GUTTER  
FLOW LINE

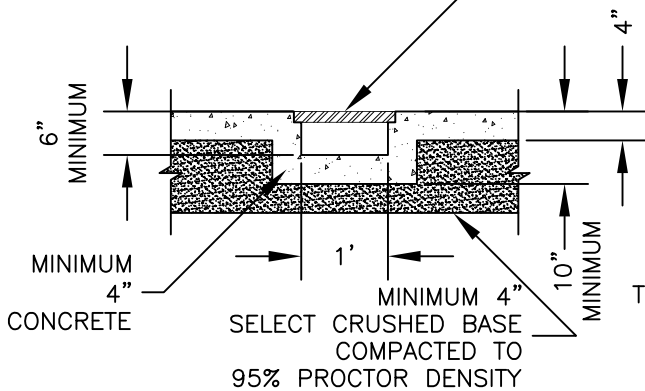
1'

TOP  
"L" TYPE  
CURB/GUTTER  
STD-121

SECTION B-B

BOTTOM  
"L" TYPE  
CURB/GUTTER  
STD-121

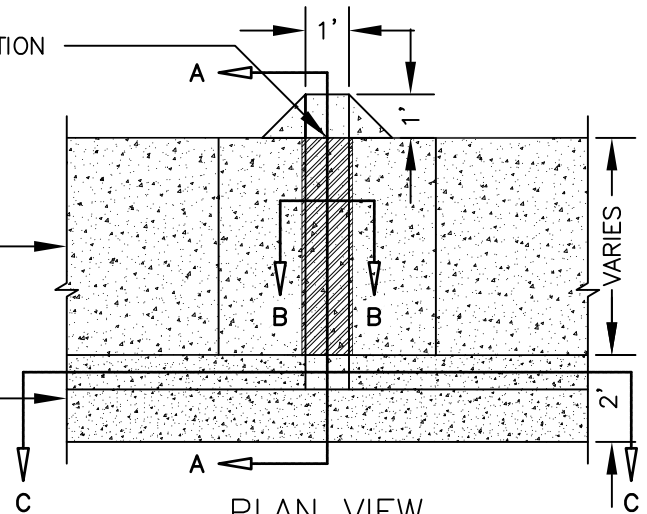
NEENAH FOUNDRY  
R-4999-DX COVER OR  
APPROVED EQUIVALENT  
COVER SHALL BE FASTENED TO  
CONCRETE AND / OR  
COVER FRAME AS PER  
MANUFACTURERS SPECIFICATION



SECTION C-C

TYPICAL  
SIDEWALK  
STD-141

TYPICAL "L" TYPE  
CURB/GUTTER  
STD-121



PLAN VIEW

1. SUBSTITUTION OF 'EQUIVALENT' MATERIALS / PRODUCTS SHALL BE SUBMITTED TO AND APPROVED BY CITY ENGINEER PRIOR TO COMMENCEMENT OF WORK
2. ALL MATERIALS / PRODUCTS SHALL BE PLACED / INSTALLED AS PER MANUFACTURER SPECIFICATIONS FOR WARRANTY INSTALLATION
3. POUR ENTIRE CURB OPENING SECTION AND SPILLWAY MONOLITHICALLY